

7014
Blackwater Liquid Level Sensor

User Manual



IMPORTANT NOTICES:

1. Gill Sensors & Controls Limited can take no responsibility for installation and/or use of its equipment if this is not done in accordance with the appropriate issue and/or amendment of the manual.
2. The user of this manual should ensure that it is appropriate in all details to the exact equipment to be installed and/or operated. If in doubt, the user should contact Gill Sensors & Controls Limited for advice.
3. If further details are required which do not appear in this manual, contact Gill Sensors & Controls Limited or one of their agents.
4. Install and use the 7014 Blackwater Liquid Level Sensor in accordance with local regulations.
5. Gill Sensors & Controls Limited reserve the right to change or revise the information supplied in this document without notice and without obligation to notify any person or organisation of such revision or change.

HELP US TO HELP YOU:

Every effort has been made to ensure the accuracy in the contents of our documents, however, Gill Sensors & Controls Limited can assume no responsibility for any errors or omissions in our documents or their consequences. Gill Sensors & Controls Limited would greatly appreciate being informed of any errors or omissions that may be found in the contents of any of our documents.

TABLE OF CONTENTS		Page
1.	Foreword	4
2.	Introduction	4
3.	Principle of Operation	4
4.	Installation	5
5.	Electrical Connection	7
6.	Commissioning and Set-Up	8
7.	Graphical User Interface	8
8.	What is Tank Profiling?	9
9.	Fault Indications and Returns	10
10.	Sensor Specifications	11
11.	Environmental Specifications	14
12.	Part Numbering Configurator	15
13.	Sensor Drawing	15
14.	Parts Supplied	15
15.	CE Declaration	16

1. FOREWORD

Thank you for purchasing a 7014 Blackwater liquid level sensor manufactured by Gill Sensors & Controls Limited. The unit has no customer serviceable parts. To achieve optimum performance we recommend that you read the whole of this manual before proceeding with installation and use.

Gill Sensors & Controls Limited are continually enhancing their products and specifications may be subject to change without prior notice.

The information contained in this manual remains the property of Gill Sensors & Controls Limited and should not be copied or reproduced for commercial gain

2. INTRODUCTION

The Blackwater sensor provides continuous real-time monitoring of the level of any water based liquid. Having no moving parts, no floats and no holes the sensor will continue to report accurate liquid levels even if there is particulate matter suspended in the liquid. There are three analogue output options to allow integration into a variety of measurement systems.

3. PRINCIPLE OF OPERATION

Using conductive sensor elements over the length of the probe the Blackwater sensor can measure the extent that the probe part is immersed in a liquid and hence determine the liquid level. This is done without direct contact between the sensor elements and the liquid and without any moving parts.

The Blackwater sensor can operate in any water based liquid, with or without suspended particle matter. It will not work with liquids that are based on non-conductive materials, such as oil and fuel. The contents of the water being monitored can influence the liquid level measured. For example, oily substances can coat the probe and cause an offset in the measurement. However, the amount of oil present in typical samples of Blackwater will only have a very small effect and the presence of soapy liquids in the water reduces the effect still further. If the probe is removed from the water, any oily substances will run off the probe after a short period of time.

The measured liquid level is reported via a choice of 3 analogue outputs:

- Industry standard 4 – 20 mA current loop
- Voltage output scalable anywhere in the range 0 – 10 volts
- Resistive, for direct drive of resistive gauges

Using GSlevel, the graphical user interface supplied, the output from the Blackwater sensor can be adjusted to meet any required measurement range.

All Blackwater probe variants have a second output. This consists of a zero-volt switch that can be configured as either a maximum or minimum level warning switch.

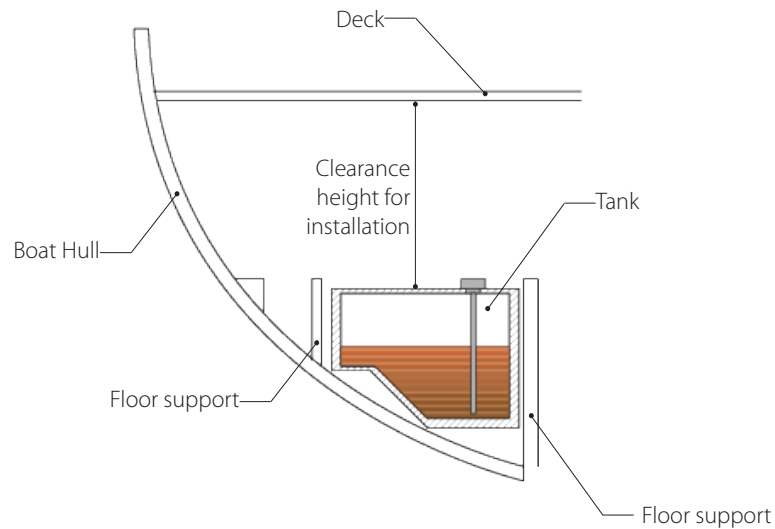
4. INSTALLATION

Please check the sensor for any signs of transit damage prior to installation. Do not remove the packaging until you are ready to install the sensor.

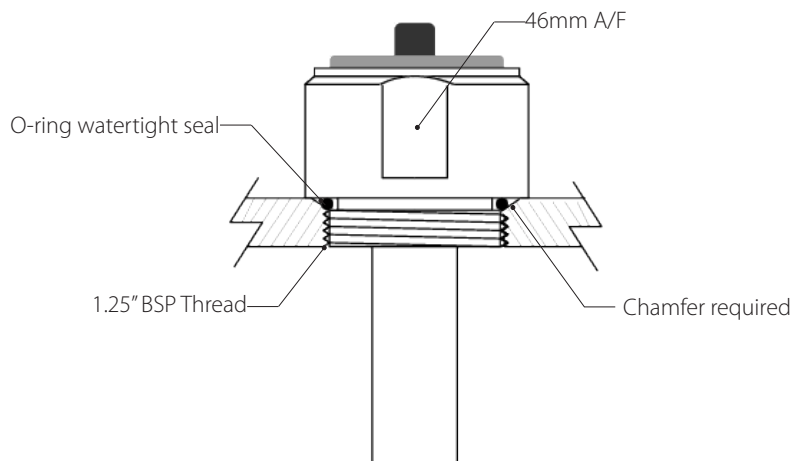
DO NOT attempt to cut the sensor to length or bend the sensor probe. Both actions will result in the sensor failing and will invalidate the warranty.

The sensor must be installed in the deepest part of the tank to be measured on a flat surface. The sensor is supplied as standard with a 1.25" BSP thread. However, if it is preferable to install the sensor using a five bolt SAE patten, an adaptor is available as an optional extra.

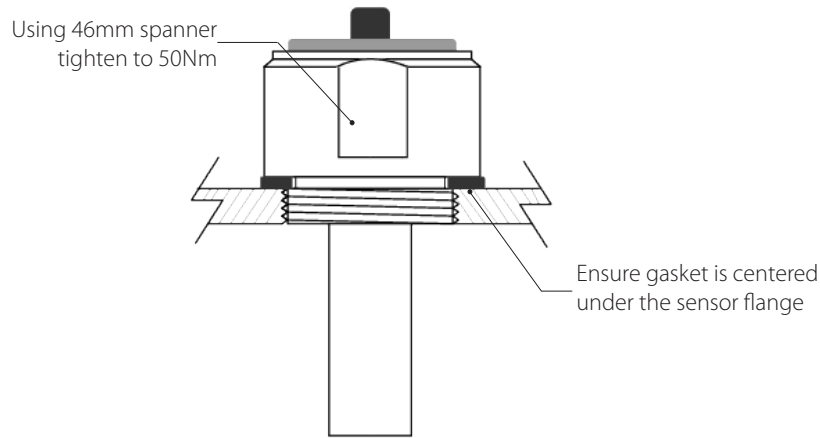
Bear in mind this is a rigid sensor and is available in lengths up to 2 metres. Your first step should be to ensure that have sufficient clearance access above the tank to get the sensor in. Sideways clearance may also be needed so this needs to be taken into account as well.



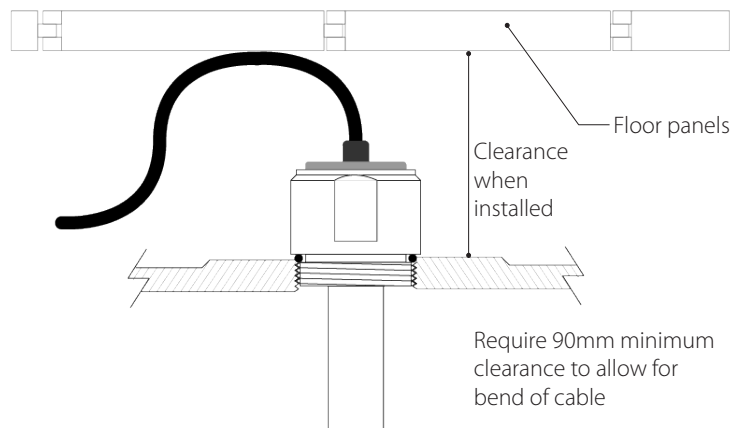
Install the sensor into a 1.25" BSP threaded hole, and tighten the sensor using a 46mm A/F spanner. The sensor is supplied with an O-ring and gasket for sealing. To use the O-ring, the mounting hole requires a chamfer to be machined around the upper edge. Tighten until the sensor face 'bottoms out' on the top of the tank.



If it is not possible to create a chamfer, then the Gasket should be used. Remove the O-ring and fit the gasket over the thread mount, black face up. Ensure the gasket is centered under the sensor and tighten to a torque of 50Nm, approximately 4.5 turns.

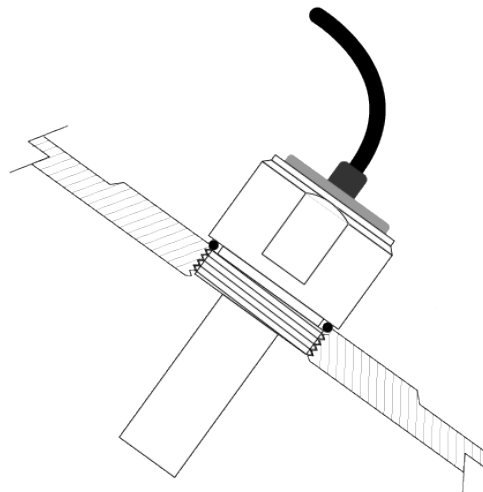


Once installed the sensor requires a minimum of 90mm from the top of the tank to the underside of a housing to allow for cable bend.



The sensor can be installed at any angle from vertical to a maximum recommended angle of 45°. Even at its maximum supplied length of 2 metres the sensor does not require any supports inside the tank.

However, you must ensure that the mounting hole in the tank is strong enough to withstand the forces imposed by the sensor from weight and vibrations.



Important: The Blackwater sensor must not be used in a tank that is not adequately vented.

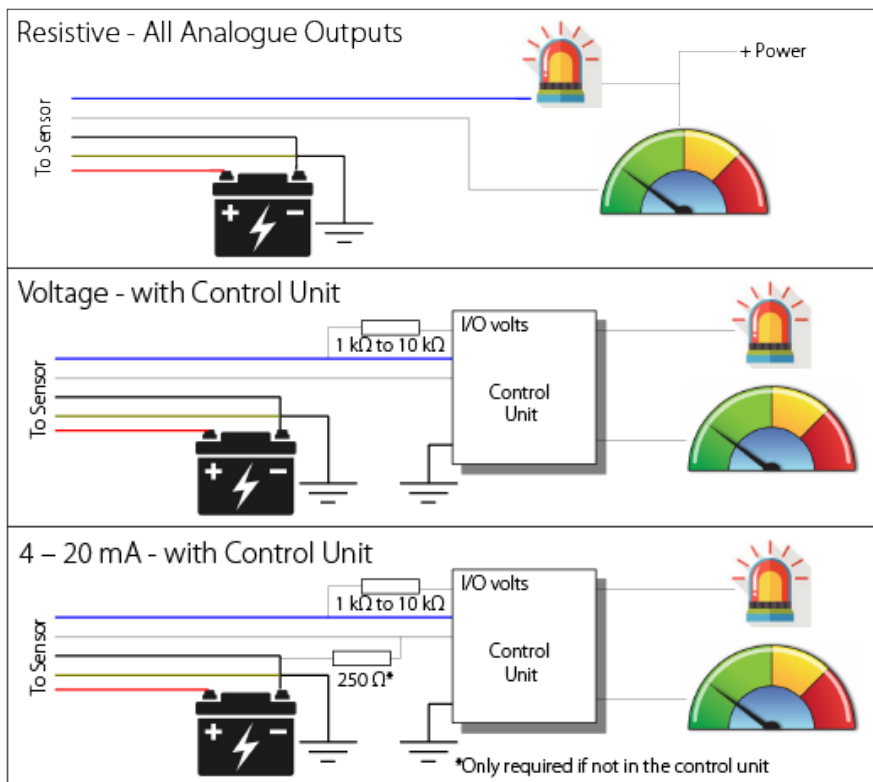
5. ELECTRICAL CONNECTION

The sensor cable has four wires:

- Red = d.c. power supply
- Black = ground
- White = measurement output
- Blue = switch output

The installation of the sensor has different requirements, depending on the analogue output:

- Voltage:** The power supply must be at least 0.5V greater than the maximum output voltage required. The switch output requires a pull-up resistor of 1 to 10 kOhms
- Current:** The measurement output requires a 250 Ohm load resistor across the output. The switch output requires a pull-up resistor of 1 to 10 kOhms
- Resistive:** The resistive meter requires its own d.c. power supply.



6. COMMISSIONING & SETUP

To setup and commission the sensor you will require a standard USB lead - Type A to Mini B.



On the top of the sensor flange, remove the retaining screw and cover using a 1.5mm Allen key. This enables access the USB connection. Note that there is an 'O' ring seal around the cover which makes it hard to remove.

When replacing the cover please ensure that a good seal is re-established.

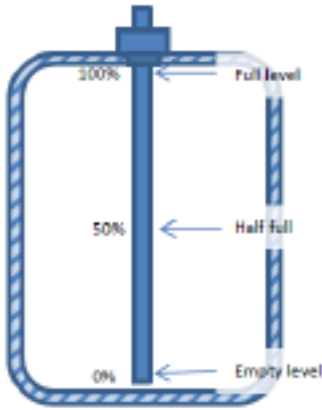


7. GRAPHICAL USER INTERFACE

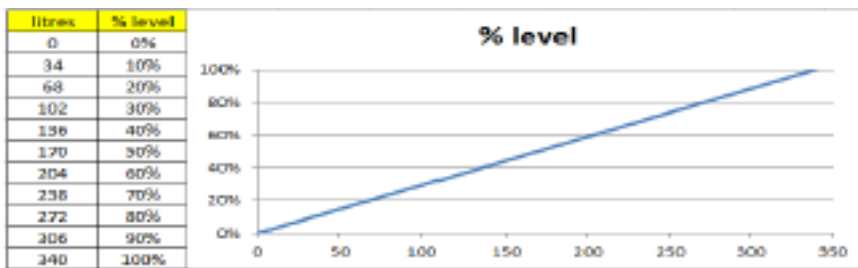
The Blackwater sensor is configured via GSlevel installed on a local PC. Connect the USB cable to the PC, supply power to the sensor and follow the instructions in the GSlevel User Manual.

8. WHAT IS TANK PROFILING?

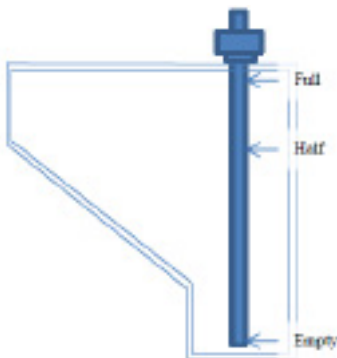
If you consider a regular tank profile as below



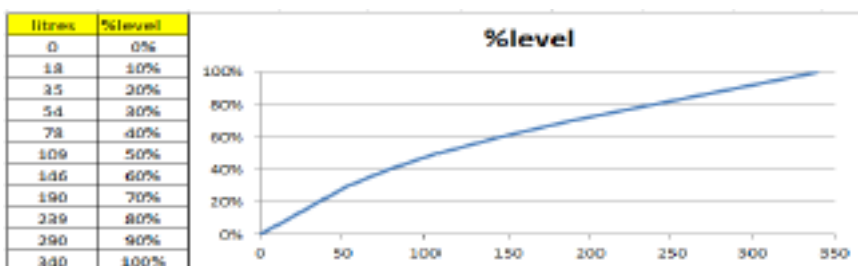
The sensor is supplied so that it reports the level in a linear path as the level rises. For a regular shaped tank this is correct. For example, a 340 litre tank would show an output as;



However if you look at an irregular shaped tank instead







It is clear that a 50% tank level is not 50% of the way up the probe. Looking at a 340 litre tank again the output would be as follows;



Without using tank profiling a 50% reported level would only be 109 litres.

9. FAULT INDICATIONS AND RETURNS

LED Status indications

LED	Status
 Green (Solid)	Normal operation
 Yellow (Flashing)	Bad configuration data
 Red (Flashing)	Sensor failure
 Red (Solid)	Firmware not running

If any of these faults arise, please contact Gill Sensors and Controls. Contact details can be found on the front of this document.

The Blackwater sensor has no moving parts and requires no maintenance in use. Faults in operation are most likely to occur if the sensor is incorrectly configured during installation. Configuring the measurement output and the tank or the tank profiling incorrectly will cause the reported output to be incorrect. A very bad configuration will prevent any output being reported at all.

If Gill Sensors and Controls require the sensor to be returned, you will be issued with an RMA number. Please do not return the sensor without having first obtained an RMA number. This will enable your sensor to be tracked and updates provided.

Important: If the sensor has been used in Blackwater or any other materials, special procedures must be followed. You **must** contact Gill Sensors & Controls for instructions.

The sensor **must not** be returned by post or parcel courier until you have contacted Gill Sensors & Controls.

10. SENSOR SPECIFICATIONS

Feature	007 Variant 4-20 mA	008 Variant 0-10 V	010 Variant Resistive
Wiring: Outer diameter: 6.9 mm Power pair: Red & Black 22 AWG 1.4 mm diameter PVC insulation Output pair: Blue & White 24 AWG 2.0 mm diameter PVC insulation Drain: 22 AWG; 19 strands	Red: +ve power supply Black: -ve power supply Blue: Switch output White: 4-20 mA output Screen: Bare drain wire	Red: +ve power supply Black: -ve power supply Blue: Switch output White: Resistive output Screen: Bare drain wire	Red: +ve power supply Black: -ve power supply Blue: Switch output White: Resistive output Screen: Bare drain wire
Power Supply: Reverse voltage protected. Overvoltage protected: +/-50 V	6V to 32V 30mA at 6V 20mA at 12V 14mA at 16 to 32V + up to 20mA output current Assuming 25 ohm resistor	6V to 32V 30mA at 6V 20mA at 12V 15mA at 16 to 32V Note: Supply voltage must be greater than the configured output voltage	6V to 32V 40mA at 6V 30mA at 12V 26mA at 16 to 32V
Temperature Range:	Storage: -40°C to +85°C Operation: -40°C to +85°C		
Configuration:	An App. is available from https://www.gillsc.com/ which may be used to configure the tank profile, the output measurement range and calibration information. The App. is PC based and connection to the Black water probe is via a micro-USB type B connection under a cover in the cap of the sensor.		

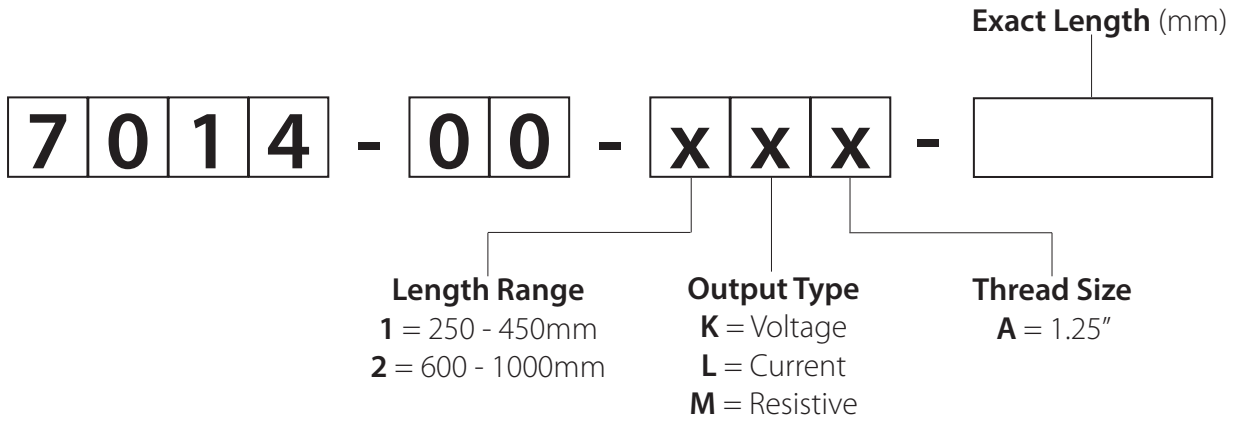
Feature	007 Variant 4 – 20 mA	008 Variant 0 – 10 V	010 Variant Resistive
Outputs: Measurement output	Industrial standard current-loop in the nominal range 4 mA to 20 mA. Normally this will linearly represent the measured liquid level, but may be reconfigured to match non-linear tank profiles and to be any range within the 4 to 20 mA range. The power supply –ve is the return path for the output current.	Voltage output representing measured liquid level. Normally this will linearly represent the measured liquid level, but may be reconfigured to match non-linear tank profiles and to be any range within the 0.5 V to 10 V range. Note: output voltage must be configured to be less than the supply voltage. Output impedance: 500 ohms Recommended load resistor >=10 kΩ.	The resistive output is designed for direction connection to a level gauge. The output is configured as a nominal 10 Ω to 180 Ω but should be re-configured to suit the fitted gauge and the installation arrangement.
Output Resolution: Measurement output	Step size < 0.1 mA. Note: The measurement resolution is less than this.	Step size < 10 mV Note: The measurement resolution is less than this.	Step size < 0.2 Ω Note: The measurement resolution is less than this.
Tolerance:	+/- 10- % of the full scale value.		
Output Rate: Measurement output	>= 10 Hz		
Outputs: Error	Error is reported as a 2.5 mA output current.	Error is reported as a 0.25 V output voltage.	Not applicable.
Outputs: Switch output	Zero-volt switch output that is connected to the –ve power supply when the switch is turned on. Maximum ‘off’ voltage : 32 V Maximum ‘on’ current: 150 mA The switch output may be configured to measure any liquid level threshold and may switch “on” when the level is either greater or less than the threshold level.		
Configuration Interface:	USB micro-B connector under a cover in the cap of the sensor. See the section “Configuring the sensor” for detailed information.		
Mounting:	Standard 1.25” BSP thread. 5-bolt SAE adaptor available as an optional extra.		

Feature	007 Variant 4-20 mA	008 Variant 0-10 V	010 Variant Resistive
Size:	Body: 46 mm diameter x 41 mm height. Body height above mounting flange: 29 mm. Clearance above mounting flange (once installed) 90 mm (to allow for cable bend radius). Probe : 22 mm diameter x requested probe length.		
Weight:	0.33 Kg + 0.042g /10 cm probe length. E.g. 500mm length probe will weigh 0.54 kg		
Materials:	Cable: PVC sheathing + Tinned copper cores. Cap: ULTEM 1000 Body: Stainless steel-316 + Mild steel (BS970) + Nitrile rubber + Nylon 6 + EPDM-70 Probe outer: FEP Probe : Copper + Glass reinforced Polyester		
LED Status Indicator: (In cap of body of sensor)	Green (solid): Powered and fully operational Yellow (flashing) : Configuration data invalid or corrupt Red (flashing): Sensor failure, measurement beyond calibrated range Red (solid): Firmware upgrade expected / in progress		

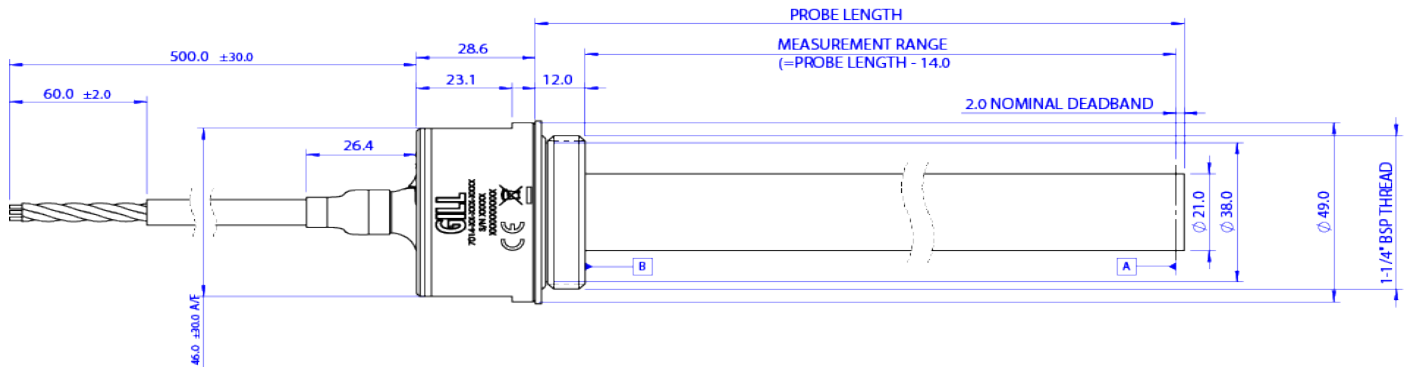
11. ENVIRONMENTAL SPECIFICATIONS

Feature	007 Variant 4-20 mA	008 Variant 0-10V	010 Variant Resistive
Operational Temperature:	Minimum: EN60945:2002 (8.4) Low Temperature, extended to - 40 °C Maximum: EN60945:2002 (8.2) Dry heat, extended to +85 °C EN60945:2002 (8.5) Thermal Shock		
Shock:	EN60068-2-27:2009		
Vibration :	EN60945:2002 (8.7) Vibration		
Ingress:	BS EN 60529:1992 +A2:2013 IP6X Cat 1 BS EN 60529:1992 +A2:2013 IPX6 BS EN 60529:1992 +A2:2013 IPX8 BS EN 60529:1992 +A2:2013 IPX9K		
Drop:	1 m – 3 sides		
Within packaging			
External Pressure	> 5 bar absolute > 10 bar differential (across mounting flange)		
Damp Heat:	EN60945:2002 (8.3) Damp Heat 95% RH +55 °C		
Chemical compatibility:	Fuels Oils Coolants Fluids	Diesel, Gasoline Hydraulic, Gear, Motor, Vegetable, Synthetic ester, Polyalphaolefin, Polyglycol Ethylene Glycol, water Salt water	
Cable pull:	50 N all 3 axis, in both directions		
EMC:	EN 60945:2002 (7.1) Extreme power supply EN 60945:2002 (9) Electromagnetic Emissions (all sub-sections) EN 60945:2002 (10) Immunity to Electromagnetic Environment (all sub-sections) EN 61000-6-2:2005 (residential, commercial and light industrial) EN 61000-6-3:2008 + A1:2011 (residential, commercial and light industrial) EN 61326-2-1:2013 (measurement, control and laboratory) EN 61326-1:2013		
Categories: Protected & Exposed			
Compass Safe Distance:	Recommendation : not to be sited within 0.5 m of magnetic compass measuring equipment		

12. PART NUMBER CONFIGURATOR



13. SENSOR DRAWING



14. PARTS SUPPLIED

- 7014 Blackwater Liquid Level Sensor
- O-ring and gasket
- GSlevel User Interface (incorporates user manuals)
- Quick Start Guide

15. CE Declaration

Gill Sensors & Controls

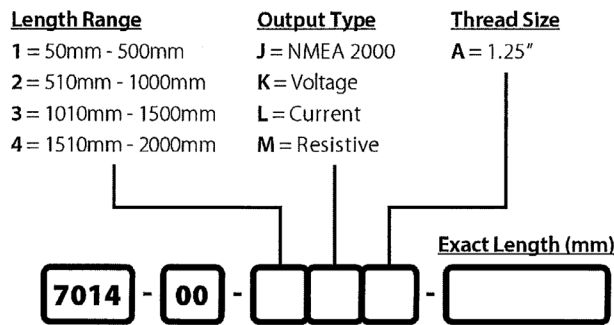
Conformity Declaration



EC DECLARATION OF CONFORMITY ACCORDING TO COUNCIL DIRECTIVE 2014/30/EU & 2011/65/EC

We, Gill Sensors & Controls Ltd., declare under our sole responsibility that the products:

GS Level 7014 – Blackwater Liquid Level Sensor (all variants as detailed below):



Manufactured by:

Gill Sensors & Controls Ltd.
 Unit 600 Ampress Park
 Lymington,
 Hampshire, UK
 SO41 8LW

To which this declaration relates, are in conformity with the protection requirements of Council Directive 2014/30/EU on the approximation of the laws relating to electromagnetic compatibility.

This Declaration of Conformity is based upon compliance of the product with the following harmonised standards:

Marine	EN 60945: 2002
	EN 61326-1: 2013
Light Industrial	EN 61000-6-3: 2007 + A1: 2011
	EN 61000-6-4: 2007 + A1: 2011
Measurement Control	EN 61326-2-1: 2013
	EN 61000-6-1:2007
Heavy Industrial	EN 61000-6-2: 2005

Gill Sensors & Controls Limited certifies that the Blackwater Liquid Level Sensor is compliant with the European Union's Restriction on the Use of Hazardous Substances in Electrical and Electronic Equipment ("RoHS II") Directive 2011/65/EC by absence of hazardous materials specified herein.

Signed by:

Print Name: *M Creagh – Director*

Date of issue: 25/01/2017

Place of issue: Gill Sensors & Controls Ltd. Unit 600 Ampress Park, Lymington, Hampshire. UK SO41 8LW