

### Key Features

- Suitable for Use with Fuels, Oils or Bio-Fuels
- Solid-State Capacitive Technology
- Reinforced Aluminium Construction
- SAE 5-Bolt Flange Mount with Tube Support
- 0-5V Analogue Output
- -40°C to +125°C Operating Temperature
- Factory Calibrated
- Available up to 1500mm Long

The Rxl liquid level sensor features an SAE 5-bolt flange mount with fully-integrated electronics. The sensor is manufactured to your custom length requirement and offers a fully configurable 0-5V analogue output (typically calibrated 0.25V empty, 4.75V full).

The mounting flange is reinforced on the underside to support longer sensor lengths or high shock and vibration applications.

Manufactured from Aluminium, the sensor utilises capacitive technology with no moving parts to accurately detect levels of fuel, oil, bio-fuels and other liquids. Each sensor is factory calibrated in your liquid type (or equivalent).



Optional Support Boss



#### ELECTRICAL

Supply Voltage	+6VDC to +24VDC
Supply Current	<10mA @12V
Serial Interface	RS232 (+5V)
Resolution	10 bit
Sample Rate	80Hz

#### ANALOGUE OUTPUT

Voltage Output Range	0.25V - 4.75V over dimension 'Y'
Range Accuracy	±1% @ 50% full scale deflection (20°C)

#### WIRING

Wire	500mm flying lead
Wiring Gauge	26 AWG PTFE insulator
Cable Material Compatibility	Viton outer jacket

#### MECHANICAL

Probe Length (Dim X)	80 - 1500mm (customer to specify)
Mounting	SAE 5-bolt pattern
Weight	From 200g (dependant on length)

#### ENVIRONMENTAL

Protection Class	IP67
Operational Temperature	-40°C to +125°C
EMC Immunity Level	SAE J1113/2 1996
Main Construction	Aluminium
Finish	Anodised to DEF STAN 025

#### COMPATIBLE MEDIUM

Fuel	Gasoline, Unleaded, LRP
Oil	Engine oils, Transmission Oils Steering & Hydraulic Fluids Diesel Heavy Oil
BioFuel	Ethanol E100, E85, E50, E20, E10 Methanol
Other	Contact Gill if you have another fuel requirement

## WIRING

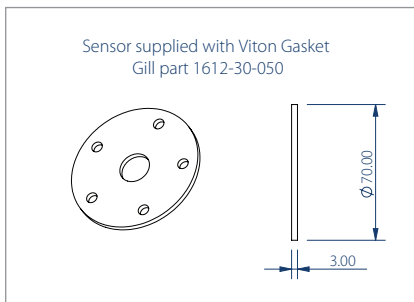
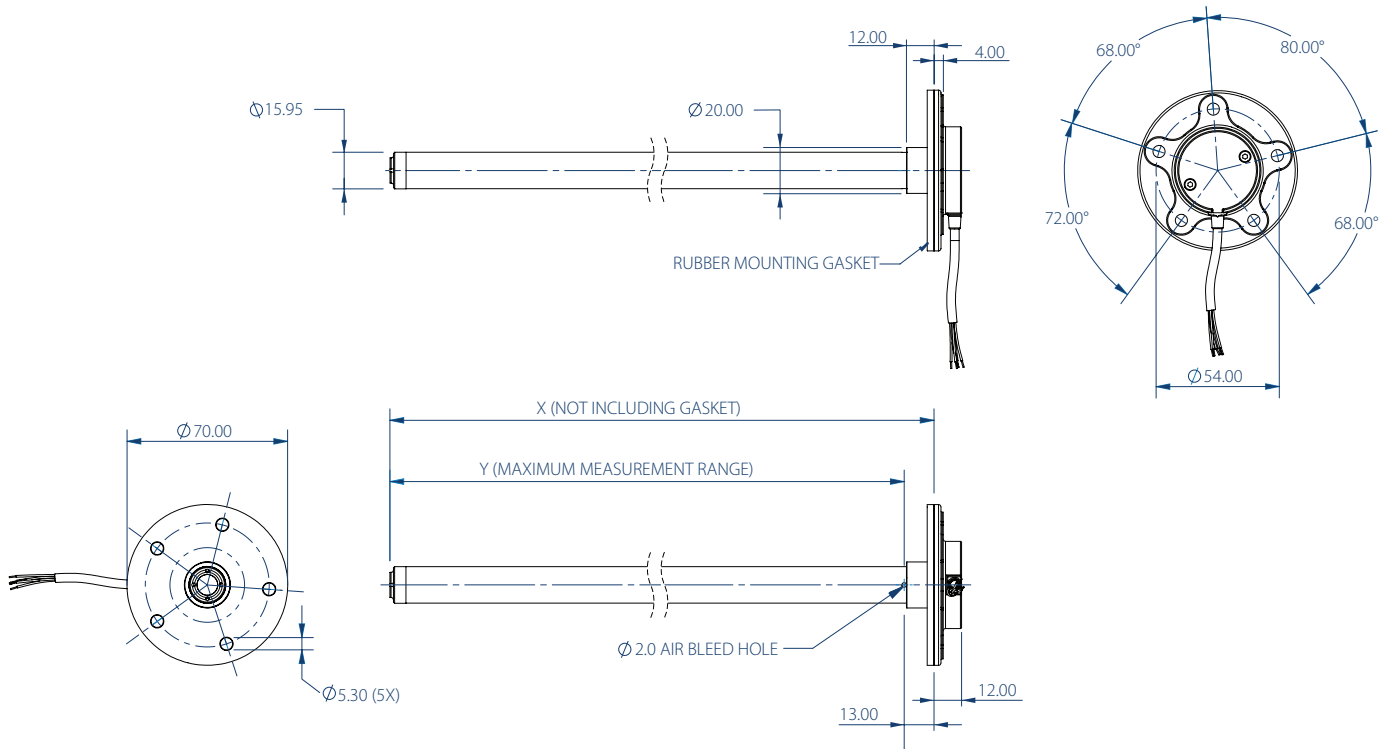
	Red	V+ (Power)
	Black	V- (GND)
	Orange	Analogue signal 0.25V to 4.75V
	Green	Serial Rx
	White	Serial Tx

## PART NUMBERS

Fuel	1612-00-021-X
Oil/Diesel	1612-00-022-X
Bio-Fuel	1612-00-023-X

X= Customer specified length in mm (see drawing below)

Dimension X is customer specified



All dimensions in mm.

Drawing representative of Fuel Sensor 1612-00-023-X.

Dimension Y is customer configurable over max measurement range on request.

Due to ongoing product development specifications are subject to change.

# GILL

## Gill Sensors & Controls Limited

Unit 600 Ampress Park  
Lymington, Hampshire  
SO41 8LW

Tel: +44 (0) 1590 613 900  
Fax: +44 (0) 1590 613 901  
info@gillsc.com



**gillsc.com**

LD1612 - I - Iss5

Copyright © Gill Sensors & Controls Limited 2015