

GS level-1612 Stainless Steel

Rxl Industrial Liquid Level Sensor



Key Features

- Durable, Reinforced Stainless Steel Construction
- Suitable for Use with Water, Coolant and Chemicals
- Solid-State Capacitive Technology
- SAE 5-Bolt Flange Mount with Tube Support
- 0-5V Analogue Output
- -40°C to +125°C Operating Temperature
- Factory Calibrated
- Available up to 1500mm Long

The Rxl Stainless Steel liquid level sensor features an SAE 5-bolt flange mount with fully-integrated electronics. The sensor is manufactured to your custom length requirement and offers a fully configurable 0-5V analogue output (typically calibrated 0.25V empty, 4.75V full).

The mounting flange is reinforced on the underside to support longer sensor lengths or high shock and vibration applications.

Manufactured from Stainless Steel, the sensor utilises capacitive technology with no moving parts to accurately detect levels of corrosive liquids including salt water, coolant, acids and chemical-based liquids. Each sensor is factory calibrated in your liquid type (or equivalent).



Optional Support Boss



ELECTRICAL

Supply Voltage	+6VDC to +24VDC
Supply Current	<10mA @12V
Serial Interface	RS232 (+5V)
Resolution	10 bit
Sample Rate	80Hz

ANALOGUE OUTPUT

Voltage Output Range	0.25V - 4.75V over dimension 'Y'
Range Accuracy	±1% @ 50% full scale deflection (20°C)

WIRING

Wire	500mm flying lead
Wiring Gauge	26 AWG PTFE insulator
Cable Material Compatibility	Viton outer jacket

MECHANICAL

Probe Length (Dim X)	80 - 1500mm (customer to specify)
Mounting	SAE 5-bolt pattern
Weight	From 300g (dependant on length)

ENVIRONMENTAL

Protection Class	IP67
Operational Temperature	-40°C to +125°C
EMC Immunity Level	SAE J1113/2 1996
Main Construction	Stainless Steel 316

COMPATIBLE MEDIUM

Fuel	Gasoline, Unleaded, LRP
Oil	Engine oils, Transmission Oils Steering & Hydraulic Fluids Diesel Heavy Oil
BioFuel	Ethanol E100, E85, E50, E20, E10 Methanol
Other	Salt water, Coolant, Acids. Please consult Gill for other liquid compatibilities

GS level-1612 Stainless Steel

Rxl Industrial Liquid Level Sensor

WIRING

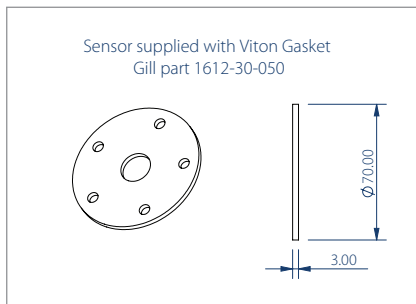
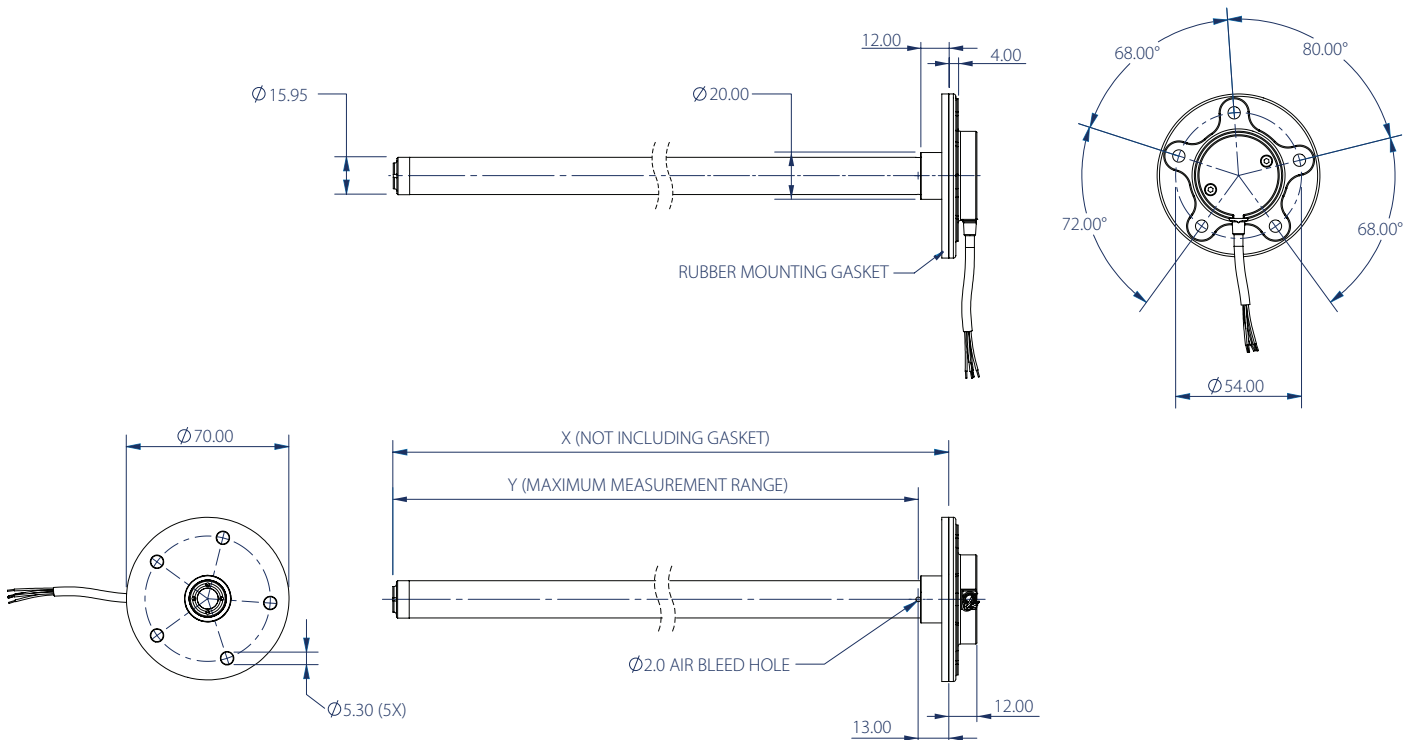
	Red	V+ (Power)
	Black	V- (GND)
	Orange	Analogue signal 0.25V to 4.75V
	Green	Serial Rx
	White	Serial Tx

PART NUMBERS

1612-00-019-X

X= Customer specified length in mm (see drawing below)

Dimension X is customer specified



All dimensions in mm.

Drawing representative of Fuel Sensor 1612-00-019-X.

Dimension Y is customer configurable over max measurement range on request.

Due to ongoing product development specifications are subject to change.

GILL

Gill Sensors & Controls Limited

Unit 600 Ampress Park
Lymington, Hampshire
SO41 8LW

Tel: +44 (0) 1590 613 900
Fax: +44 (0) 1590 613 901
info@gillsc.com



gillsc.com

LD1612-I-SS - Iss 5

Copyright © Gill Sensors & Controls Limited 2015

Gill Sensors & Controls Limited, Reg No. 08982641
Registered Office: The George Business Centre, Christchurch Road, New Milton, BH25 6QJ