

GSlevel-1612 Stainless Steel

R-Series Liquid Level Sensor



Key Features

- Durable Stainless Steel Construction
- Suitable for Use with Water, Coolant and Chemicals
- Solid-State Capacitive Technology
- SAE 5-Bolt Flange Mount
- 0-5V Analogue Output
- -40°C to +125°C Operating Temperature
- Factory Calibrated
- Available up to 450mm Long



The GSlevel-R Stainless Steel liquid level sensor is designed specifically for use with aggressive or corrosive liquids including salt water, coolant, acids and chemical-based liquids. The sensor features an SAE 5-bolt mounting pattern and is manufactured to your custom length requirement up to 450mm.

The sensor provides a fully configurable 0-5V analogue output, which is typically calibrated 0.25V empty, 4.75V full. Each sensor is factory calibrated in your liquid type (or equivalent).



ELECTRICAL

Supply Voltage	+6VDC to +24VDC
Supply Current	<10mA @12V
Serial Interface	RS232 (+5V)
Resolution	10 bit
Sample Rate	80Hz

ANALOGUE OUTPUT

Voltage Output Range	0.25V - 4.75V over dimension 'Y'
Range Accuracy	±1% @ 50% full scale deflection (20°C)

WIRING

Wire	500mm flying lead
Wiring Gauge	26 AWG PTFE insulator
Cable Material Compatibility	Viton outer jacket

MECHANICAL

Probe Length (Dim X)	80 - 450mm (customer to specify)
Mounting	SAE 5-bolt pattern
Weight	From 280g (dependant on length)






ENVIRONMENTAL

Protection Class	IP67
Operational Temperature	-40°C to +125°C
EMC Immunity Level	SAE J1113/2 1996
Main Construction	Stainless Steel 316

COMPATIBLE MEDIUM

Fuel	Gasoline, Unleaded, LRP, Jet Fuel, Avgas
Oil	Engine Oils, Transmission Oils, Steering & Hydraulic Fluids, Diesel, Heavy Oil
BioFuel	Ethanol E100, E85, E50, E20, E10 Methanol
Other	Salt Water, Coolant, Acids. Please consult Gill for other liquid compatibilities

WIRING

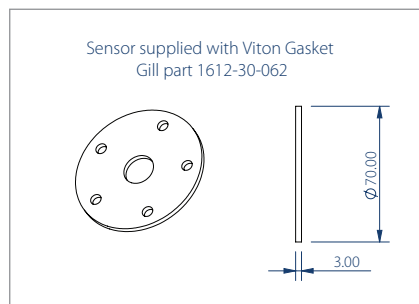
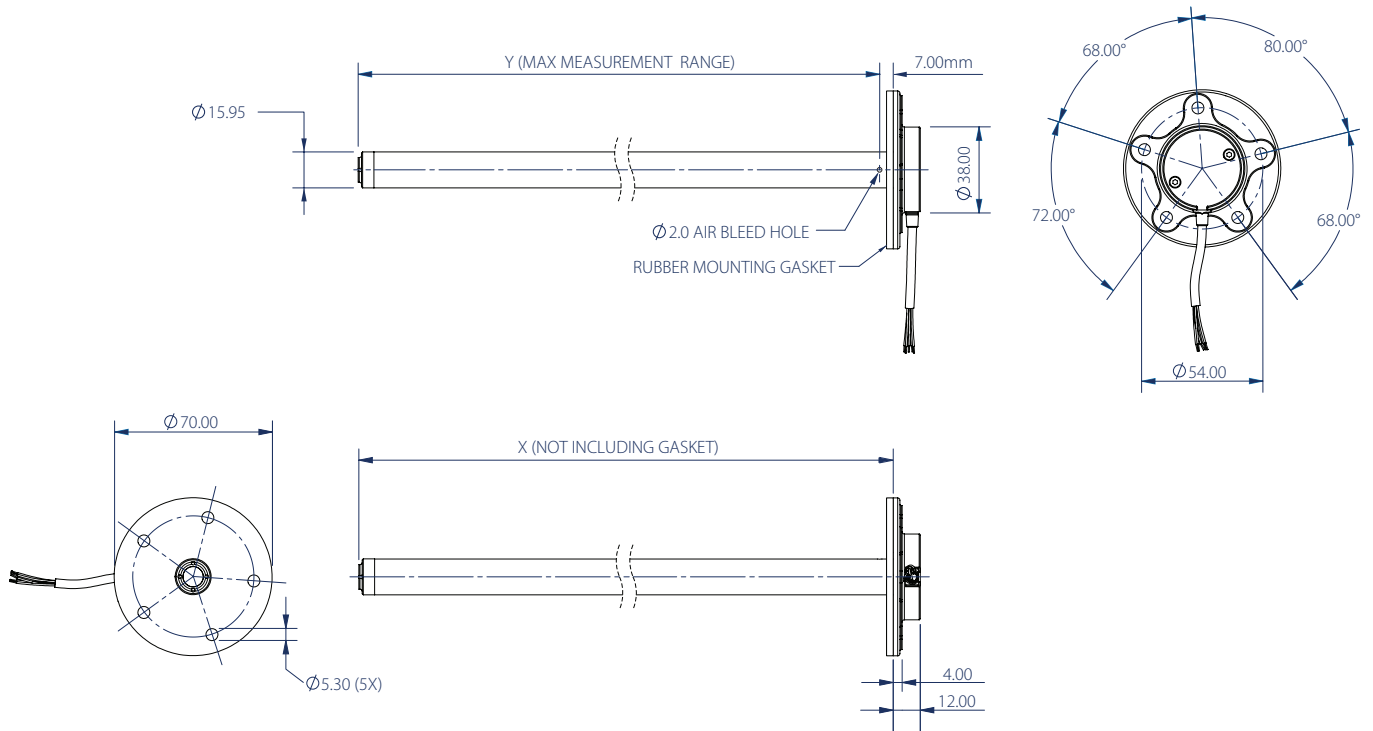
	Red	V+ (Power)
	Black	V- (GND)
	Orange	Analogue signal 0.25V to 4.75V
	Green	Serial Rx
	White	Serial Tx

PART NUMBERS

1612-00-018-X

X= Customer specified length in mm (see drawing below)

Dimension X is customer specified



All dimensions in mm.

Drawing representative of Sensor 1612-00-018-X.

Dimension Y is customer configurable over max measurement range on request.

Due to ongoing product development specifications are subject to change.

GILL

Gill Sensors & Controls Limited

Unit 600 Ampress Park
Lymington, Hampshire
SO41 8LW

Tel: +44 (0) 1590 613 900
Fax: +44 (0) 1590 613 901
info@gillsc.com



gillsc.com

LD1612-SS - Iss 5

Copyright © Gill Sensors & Controls 2015