

# Lightweight, integrated liquid level measurement

- Compatible with fuels, oils or bio-fuels
- Solid-state capacitive technology
- Lightweight aluminium construction
- -40° to +125°C temperature range
- 0-5V analogue output
- SAE 5-bolt flange mount
- Available up to 450mm long



## OUTPUT

<b>Voltage output range</b>	0.25 – 4.75V over dimension 'Y' (see overleaf)
<b>Range accuracy</b>	±1% @ 50% full scale deflection (20°C)

## ELECTRICAL

<b>Supply voltage</b>	6-24V DC
<b>Supply current</b>	<10mA @ 12V
<b>Interface</b>	RS232 (+5V)
<b>Resolution</b>	10 bit
<b>Sample rate</b>	80Hz

## WIRING

<b>Cable</b>	Flying lead, 500mm
<b>Wire size</b>	26AWG PTFE insulator
<b>Sleeving</b>	Viton outer jacket

## ENVIRONMENTAL

<b>Ingress Protection</b>	IP67
<b>Operational temperature</b>	-40° to +125°C
<b>EMC Immunity</b>	SAE J1113/2 1996
<b>Construction</b>	Aluminium
<b>Finish</b>	Anodised to DEF STAN 025

## MECHANICAL

<b>Probe length</b>	80 - 450mm (customer specified)
<b>Mounting</b>	SAE 5-bolt pattern
<b>Weight</b>	From 180g (dependant on length)

## LIQUIDS

<b>Fuels</b>	Gasoline, Unleaded, LRP, Jet fuel, Avgas
<b>Oils</b>	Engine oils, transmission oils, steering & hydraulic fluids, diesel, heavy oil
<b>Bio-fuels</b>	Ethanol E100, E85, E50, E20, E10, Methanol
<b>Other</b>	Please consult Gill

## ORDERING

015 = fuel  
016 = oil / diesel  
017 = bio-fuel

1612 - 00 -    -

Exact Length (mm):

> More information at [gillsc.com](http://gillsc.com)

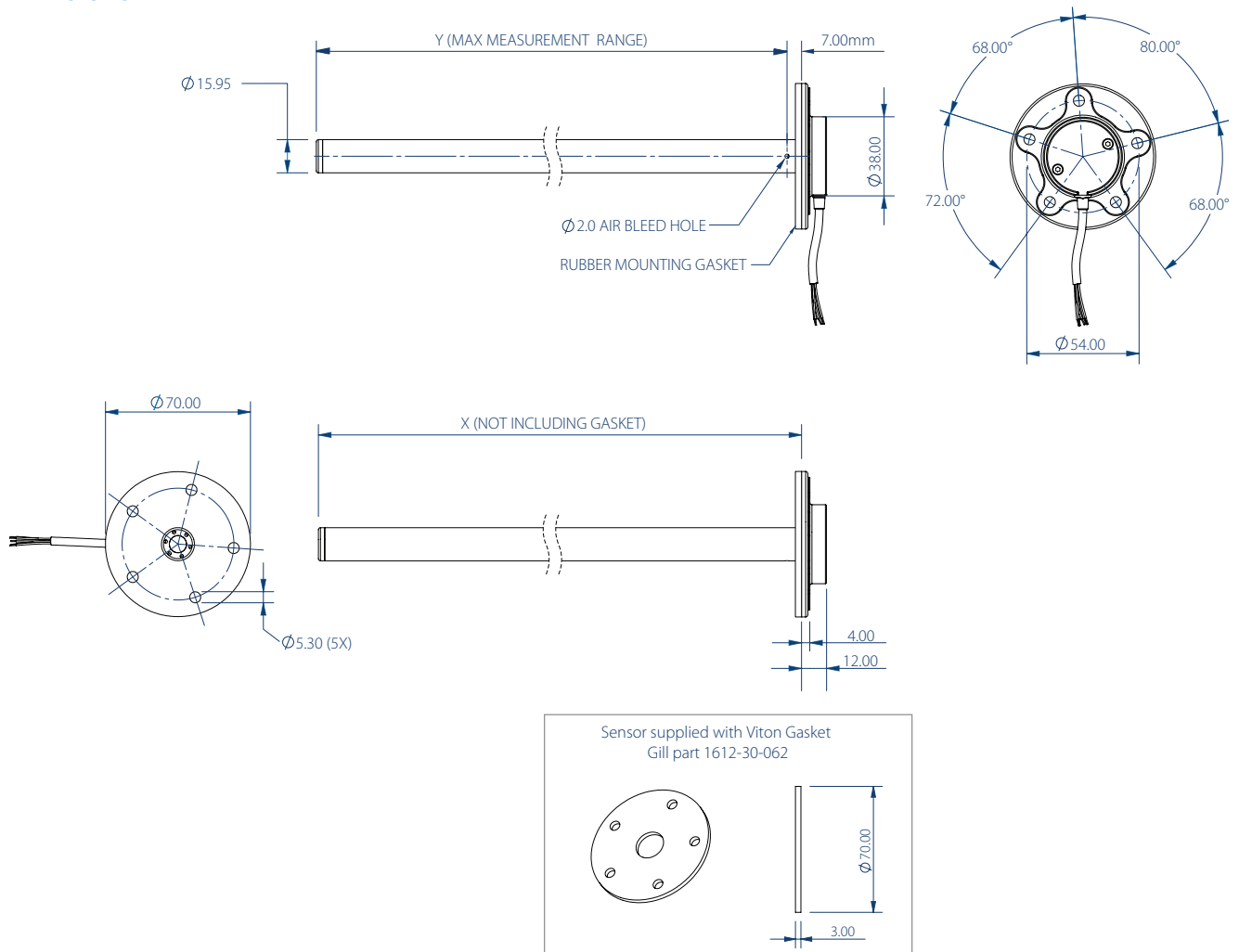
E support@gillsc.com

T +44 (0)1590 613900

**GILL**

Sensors & Controls

## DIMENSIONS



## WIRING DESIGNATION

<span style="color: red;">■</span>	<b>Red</b>	+V
<span style="color: black;">■</span>	<b>Black</b>	-V (Ground)
<span style="color: orange;">■</span>	<b>Orange</b>	Primary Output
<span style="color: green;">■</span>	<b>Green</b>	Rx
<span style="color: white;">■</span>	<b>White</b>	Tx