

Long-length, reinforced liquid level measurement

- Compatible with fuels, oils or bio-fuels
- Solid-state capacitive technology
- Reinforced aluminium construction
- -40° to +125°C temperature range
- 0-5V analogue output
- SAE 5-bolt flange mount
- Available up to 1500mm long



With optional support boss

OUTPUT

Voltage output range	0.25 – 4.75V over dimension 'Y' (see overleaf)
Range accuracy	±1% @ 50% full scale deflection (20°C)

ELECTRICAL

Supply voltage	6-24V DC
Supply current	<10mA @ 12V
Interface	RS232 (+5V)
Resolution	10 bit
Sample rate	80Hz

WIRING

Cable	Flying lead, 500mm
Wire size	26AWG PTFE insulator
Sleeving	Viton outer jacket

ENVIRONMENTAL

Ingress Protection	IP67
Operational temperature	-40° to +125°C
EMC Immunity	SAE J1113/2 1996
Construction	Aluminium
Finish	Anodised to DEF STAN 025

MECHANICAL

Probe length	80 - 1500mm (customer specified)
Mounting	SAE 5-bolt pattern
Weight	From 200g (dependant on length)

LIQUIDS

Fuels	Gasoline, Unleaded, LRP
Oils	Engine oils, transmission oils, steering & hydraulic fluids, diesel, heavy oil
Bio-fuels	Ethanol E100, E85, E50, E20, E10, Methanol
Other	Please consult Gill

ORDERING

021 = fuel
022 = oil / diesel
023 = bio-fuel

1612 - 00 - -

Exact Length (mm):

> More information at gillsc.com

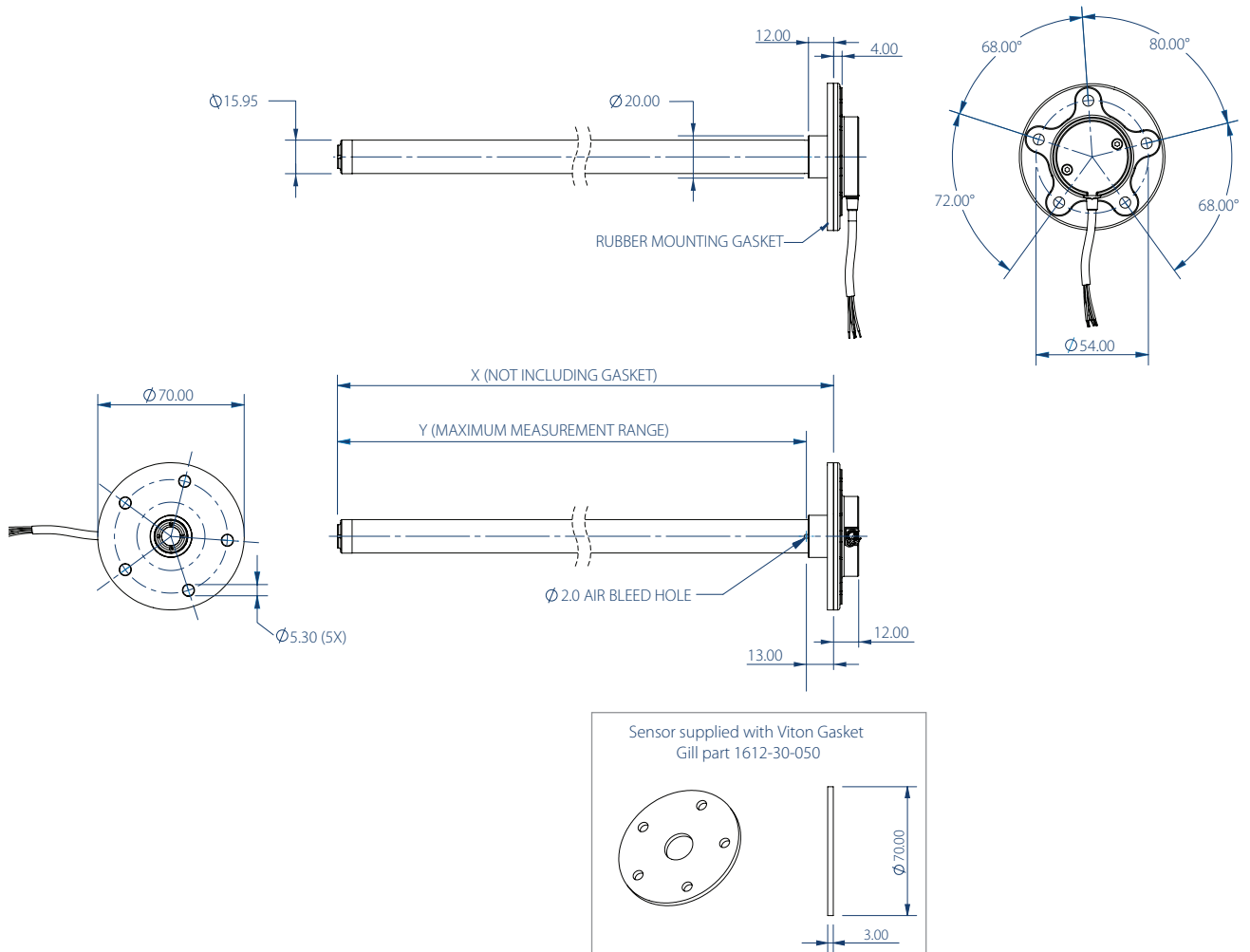
E support@gillsc.com

T +44 (0)1590 613900

GILL

Sensors & Controls

DIMENSIONS



WIRING DESIGNATION

■	Red	+V
■	Black	-V (Ground)
■	Orange	Primary Output
■	Green	Rx
■	White	Tx