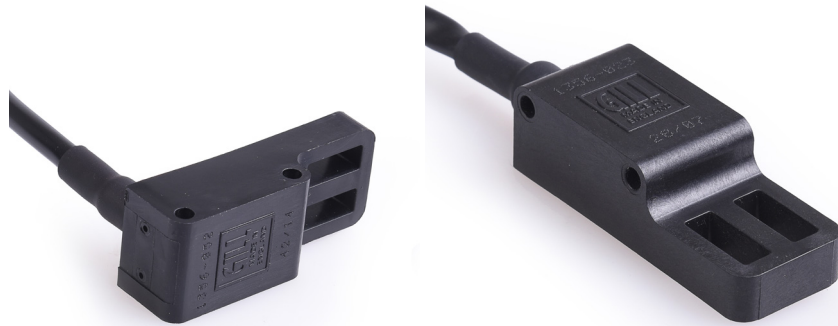


# Accurate, repeatable non-contact position sensing

- Single & dual channel output
- Linear or angular measurement
- Non-contact, two part design
- No moving sensor parts
- Unlimited mechanical life
- Submersible



## OUTPUT

<b>Measuring range</b>	Rotary: $\pm 45^\circ$ Linear: range governed by activator shape	
<b>Output range</b>	<b>Supply Voltage</b>	<b>Output Voltage</b>
<b>Single Channel</b>	5V	0-4.3V
	6V	0-4.5V
<b>Dual Channel Ratiometric</b>	5V	4.6V
	6V	5V
<b>Range accuracy</b>	$\pm 3\%$ over full temperature range	

## ELECTRICAL

<b>Supply voltage</b>	6 - 30V DC
<b>Over voltage protection</b>	>31V DC
<b>Supply current</b>	<10mA
<b>Reverse polarity protection</b>	to -30V DC
<b>Resolution</b>	10 bit
<b>Sample rate</b>	1KHz

## OPTIONS

<b>Wiring</b>	Top exit flying lead Rear exit flying lead Integral AMP connector
<b>Output</b>	Single analogue Single 5V ratiometric Dual analogue

## MECHANICAL

<b>Sensor size</b>	19 x 25.5 x 64mm (D x W x L)
<b>Mounting</b>	2 x $\varnothing 4$ mm holes on a 30mm pitch
<b>Weight</b>	34g
<b>Activator materials</b>	Tinned steel, EN3B painted mild steel or similar, plastic/copper foil. Contact Gill for more details
<b>Materials compatibility</b>	Water, engine oil, engine coolant, diesel fuel, gasoline, salt spray, degreaser, degreaser tsp, ammonia and dust. All common automotive liquids and materials

## ENVIRONMENTAL

<b>Protection</b>	IP67
<b>Operating temperature</b>	-40° to +85°C (standard)
<b>Storage temperature</b>	-40° to +85°C
<b>Dither life</b>	Non-contact: no deterioration through use

## ORDERING

<b>Single Output:</b>	<b>Dual Output:</b>	<b>5V Ratiometric output:</b>
021 = Integrated AMP connector	062 = 0.5m flying lead top exit	051 = Integrated connector
022 = 0.5m flying lead top exit		052 = 0.5m flying lead top exit
023 = 0.5m flying lead rear exit		053 = 0.5m flying lead rear exit

1356 - 10 -

> More information at [gillsc.com](http://gillsc.com)

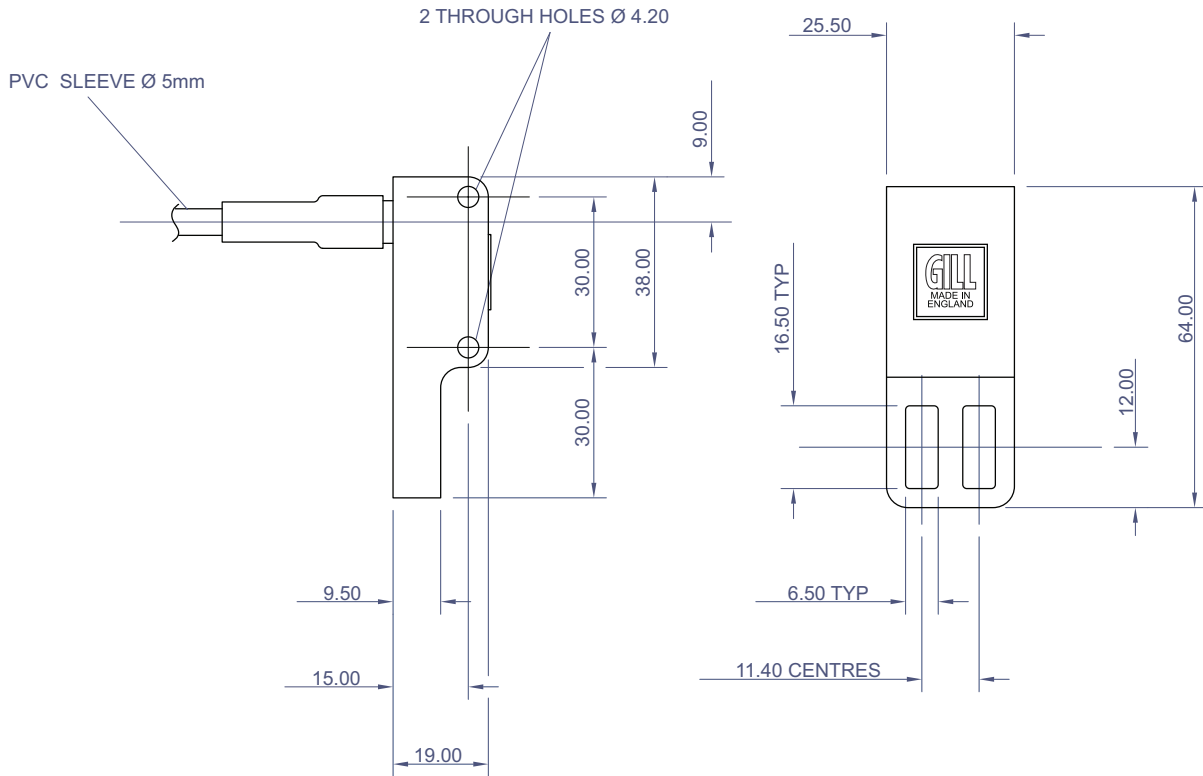
E support@gillsc.com

T +44 (0)1590 613900

**GILL**

Sensors & Controls

## DIMENSIONS



Model shown 1356-10-022

## WIRING DESIGNATION

	<b>Red</b>	Supply
	<b>Blue</b>	System & power ground
	<b>Yellow</b>	Analogue Output