

# Clear, straightforward liquid level display

- Tank profiling for irregular shaped tanks
- Volume display and low level warning
- Fully programmable
- Easy installation
- Lightweight
- 29 extra-bright LEDs



## ELECTRICAL

<b>Supply voltage</b>	9-30V DC
<b>Supply current</b>	<140mA @ 12V
<b>Serial Interface</b>	RS232 (+5V)
<b>Resolution</b>	10 bit

## ANALOGUE INPUT

<b>Voltage input range</b>	Configurable 0 - 5V
----------------------------	---------------------

## CONNECTION

<b>Integral connector</b>	Microfit III
---------------------------	--------------

## ENVIRONMENTAL

<b>Ingress Protection</b>	IP65
<b>Operational temperature</b>	-10° to +80°C
<b>EMC immunity level</b>	SAE J1113/2 1996 design guideline
<b>Vibration</b>	15g RMS (24-2000Hz) & SAE J1455 design guidelines used
<b>Finish</b>	Anodised to ISO7599

## MECHANICAL

<b>Dimensions</b>	See drawing overleaf
<b>Weight</b>	Two M4 threaded holes on a 106mm centre

## ORDERING

1615 - 00 - 039 ——— Black Anodise to ISO7599

Cable harness = 1615-10-036 (supplied)

> More information at [gillsc.com](http://gillsc.com)

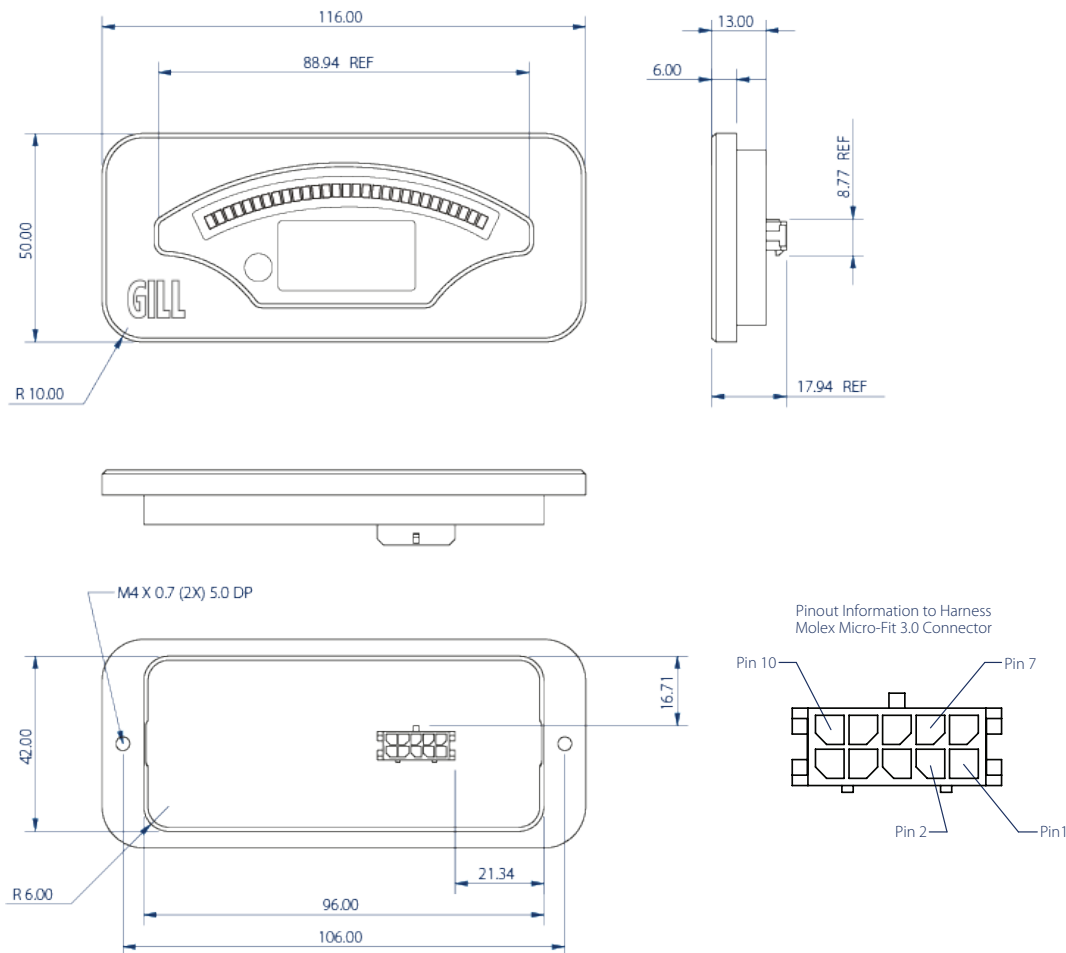
E support@gillsc.com

T +44 (0)1590 613900

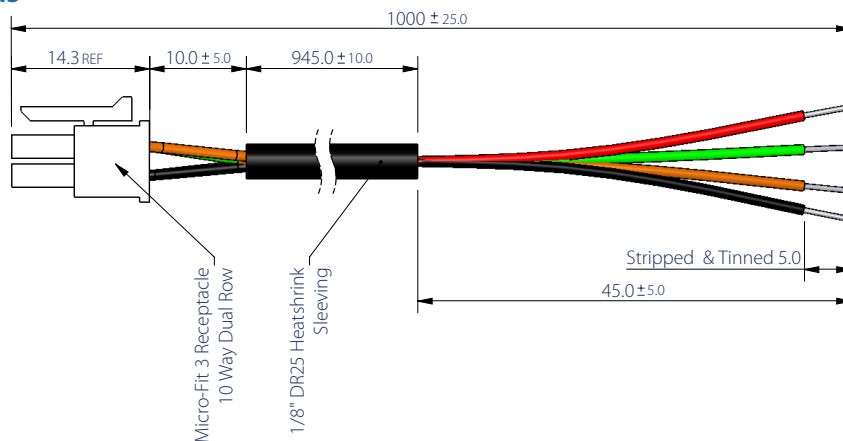
**GILL**

Sensors & Controls

**DIMENSIONS**



**HARNESS DIMENSIONS**



**WIRING DESIGNATION**

Colour	Pin	Function
Red	1	Supply (+Vs)
Black	2	Ground
Green	7	Rx (calibration only)
Orange	10	Analogue output