

Gill catch tank oil level sensor

Gill part no: 1804-00-020

Gill catch tank oil level sensor was specifically designed to comply with the ACO Le Mans series requirements.

This sensor should be installed in the top surface of the oil catch tank and will respond with an increasing analogue voltage output relative to the corresponding level of oil within the tank.

The sensor needs no user adjustment or calibration but must be electrically connected as per the information listed on this datasheet.

Each sensor is supplied complete with a rubber sealing gasket which must be positioned between the flange mount and the surface of the oil tank.

Typical Applications

- Endurance motorsport

Key Features

- ACO approved product
- Race proven technology
- Factory calibrated
- No moving parts

Benefits

- Minimum maintenance requirement
- Ready to use out of the box
- Ensures safer racing



Gill catch tank level sensor






Gill catch tank oil level sensor

Gill part no: 1804-00-020

ANALOGUE OUTPUT	
Standard range	0.25–4.75 V over sensing range (85.50mm)
Maximum range	0.25–10 V (See drawing Datum A—B)
Accuracy	± 1% of oil depth at 20°C *
Volumetric output	Configurable through GSlevel software tank profiling wizard or CSV file upload

ELECTRICAL	
Supply voltage	5–32 VDC
Supply current	<20 mA
Data interface	RS232 (USB-RS232 adaptor available)
Measurement resolution	10 bit (1024 bits over range)
Sample rate	100 Hz

LIQUIDS	
Oils	Engine and transmission (mineral / synthetic)

CONNECTIONS	
 RED	+5 VDC to +32 VDC supply
 BLACK	-V (GROUND)
 YELLOW	Analogue output: voltage output (0.25 to 4.75 VDC)
 GREEN	Serial comms input (Rx), RS232 compatible
 WHITE	Serial comms output (Tx), RS232 compatible

* when calibrated in customer's oil

MECHANICAL	
Probe length	95mm
Mounting options	2 x M3 cap head screws
Sealing options	Panel gasket or o-ring
Cable	Flying lead, 1000mm
Cable cores	5
Wire size	26AWG 7/0.15
Wire sleeve	Viton
Cable exit	Side
Weight	90g
Cable weight	0.024g/mm

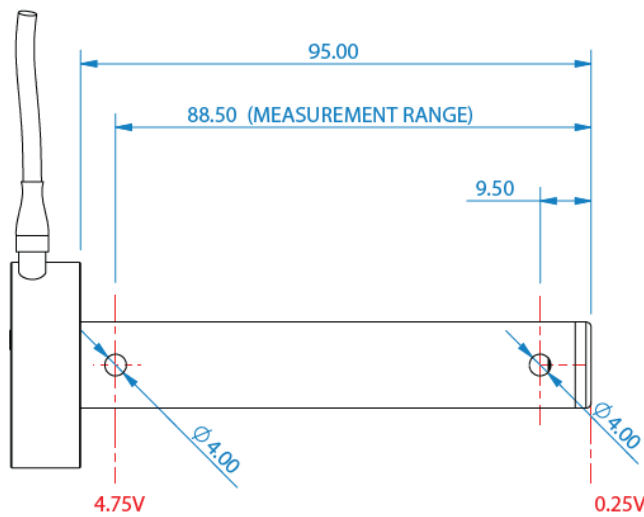
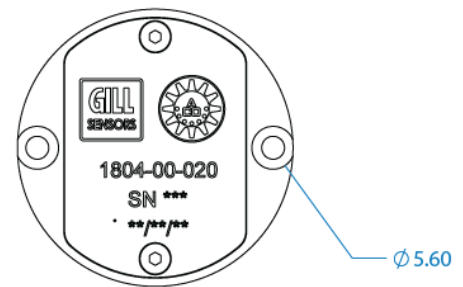
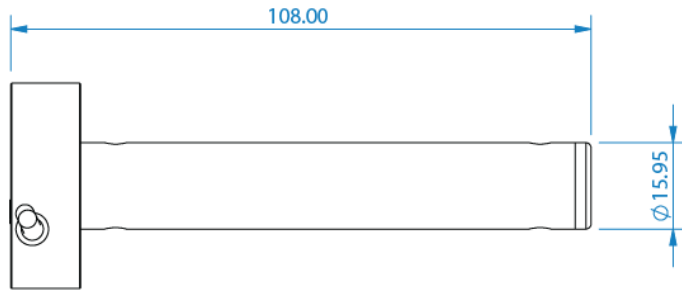
ENVIRONMENTAL	
Ingress Protection	IP68
Operational temperature	0°C to 125°C
Vibration	15g RMS (24-2000 Hz) & SAE J1455 design guidelines used
EMC immunity level	SAE J1113/2 1996 design guideline

This product is not designed or certified for use in ATEX environments

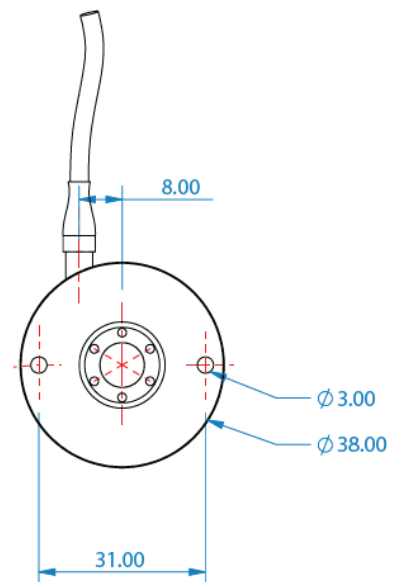
Gill catch tank oil level sensor

Gill part no: 1804-00-020

DETAILED DIMENSIONS



DETAIL H
SCALE 2:1



For more information about Gill catch tank oil level sensor please contact Gill Sensors & Controls.

gillsc.com

© 2023 Gill Sensors & Controls Limited

GILL

Designed and manufactured in the UK by Gill Sensors & Controls Limited